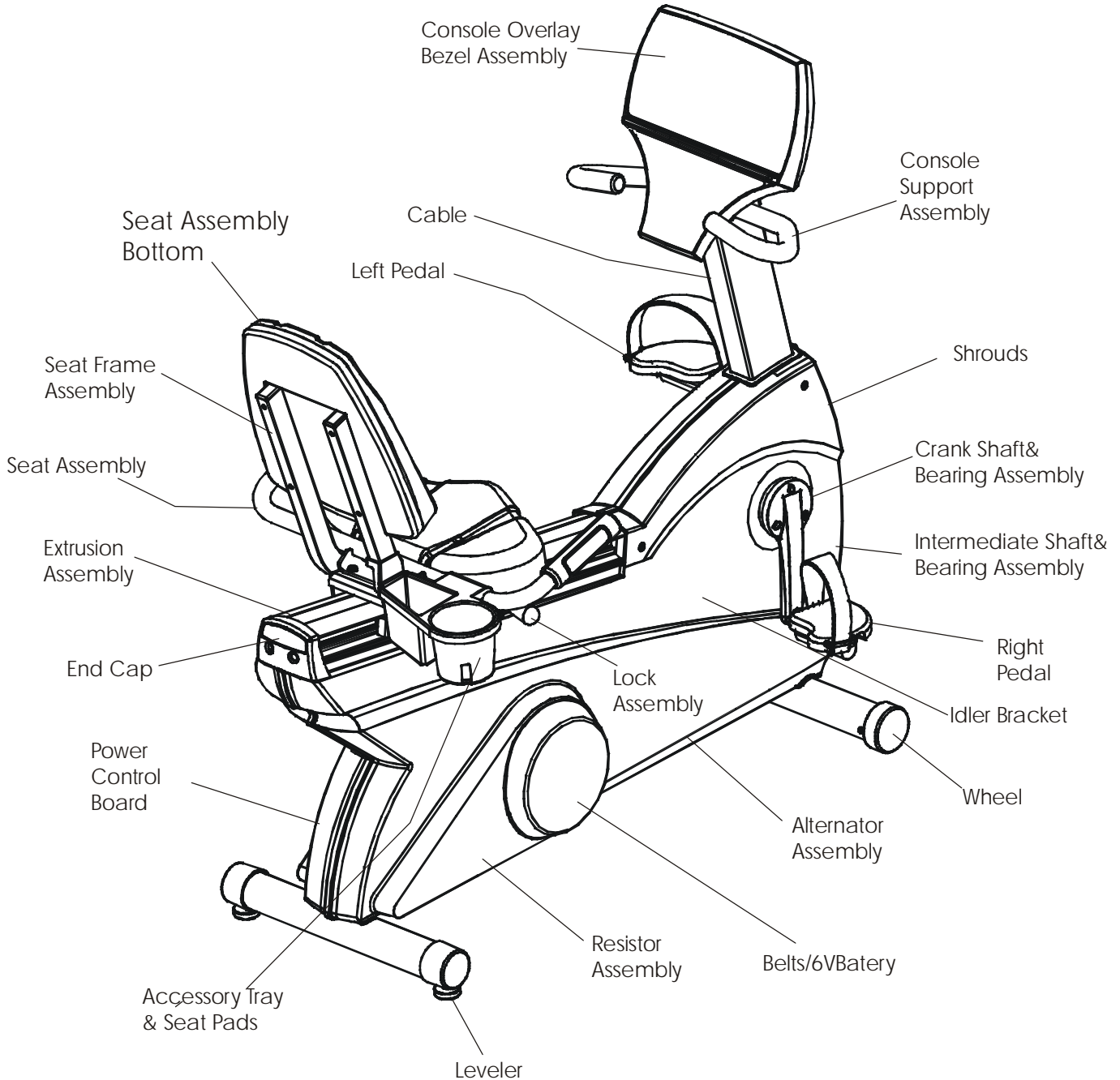


LifeCycle Recumbent Bike - Model R7-0100-02 S/N CEJ100001

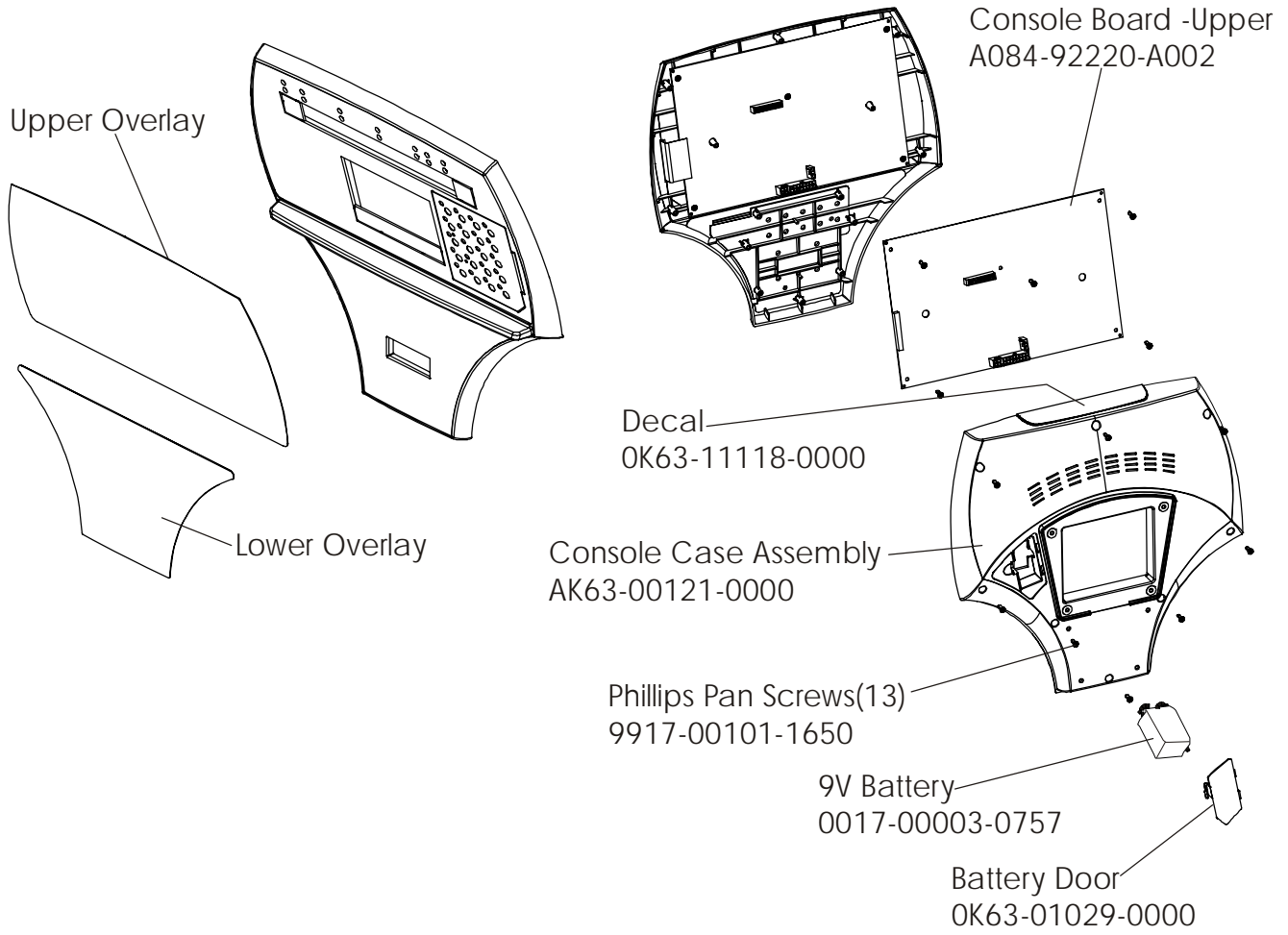
Unit Assembly



Operation Manual	M051-00K20-B406
Service Manual	M051-00K39-A012

LifeCycle Recumbent Bike - Model R7-0100-02 S/N CEJ100001

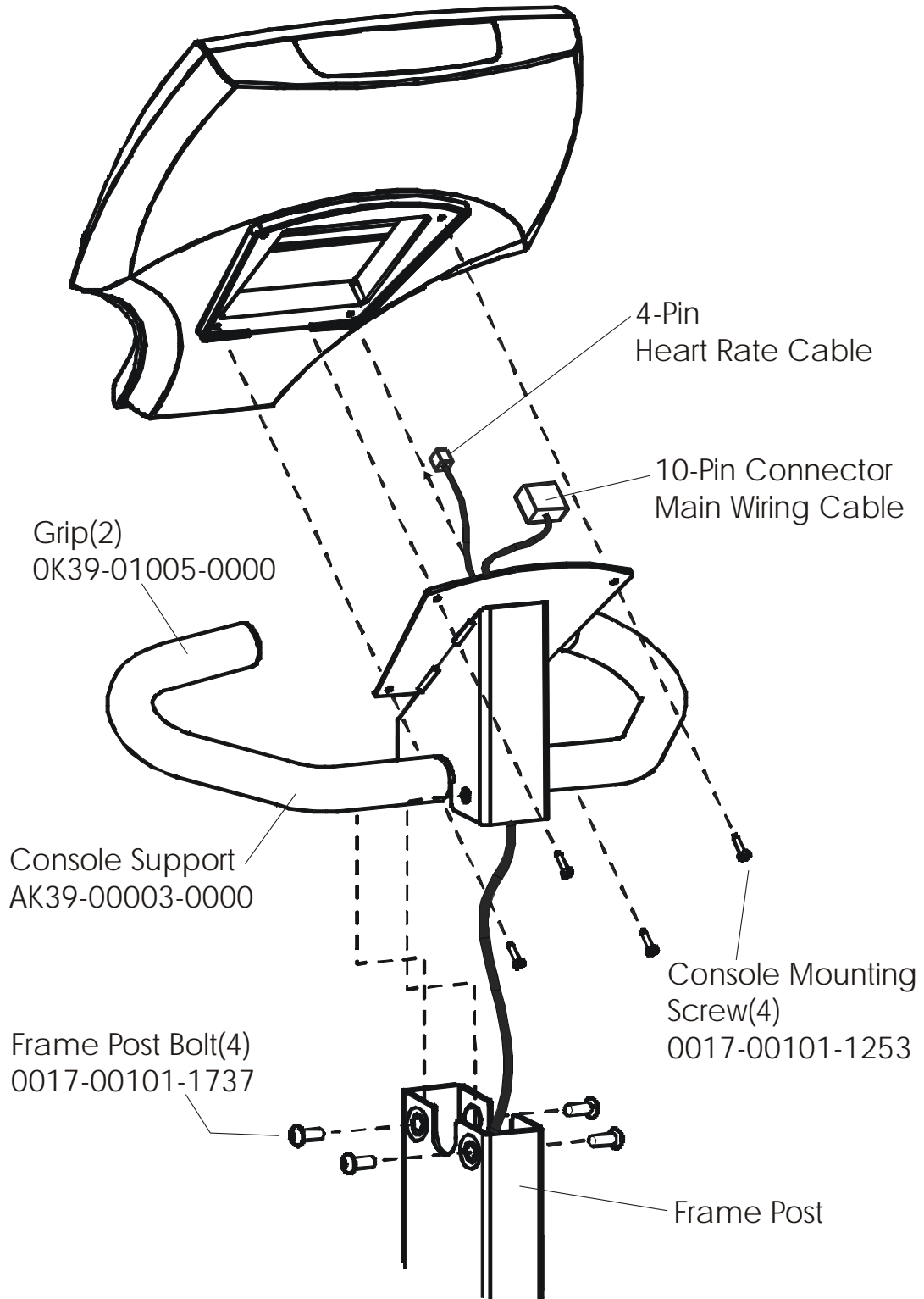
Console Overlay Bezel Assembly



LC R7 Recumbent	
Console Assembly	Overlay Bezel
AK39-00058-0001 Eng Met	AK63-00082-0001 Eng Met
AK39-00058-0003 Ger Met	AK63-00082-0003 Ger Met
AK39-00058-0004 Spn Met	AK63-00082-0004 Spn Met
AK39-00058-0006 Jap Met	AK63-00082-0006 Jap Met
AK39-00058-0007 Frn Met	AK63-00082-0007 Frn Met
AK39-00058-0008 Itl Met	AK63-00082-0008 Itl Met
AK39-00058-0009 Itl Met	AK63-00082-0009 Itl Met
AK39-00058-0010 Por Met	AK63-00082-0010 Por Met

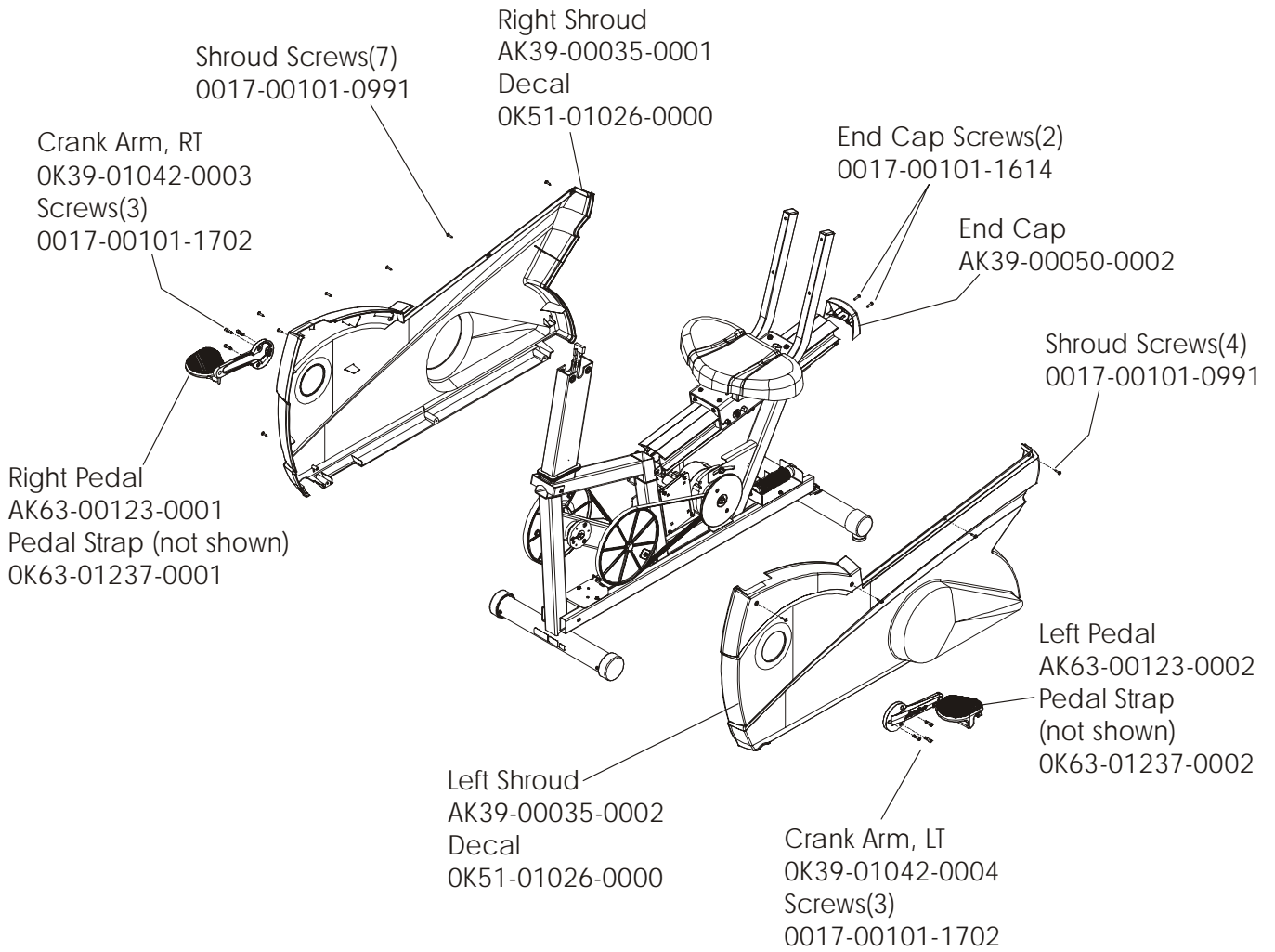
LifeCycle Recumbent Bike - Model R7-0100-02 S/N CEJ100001

Console Support Assembly



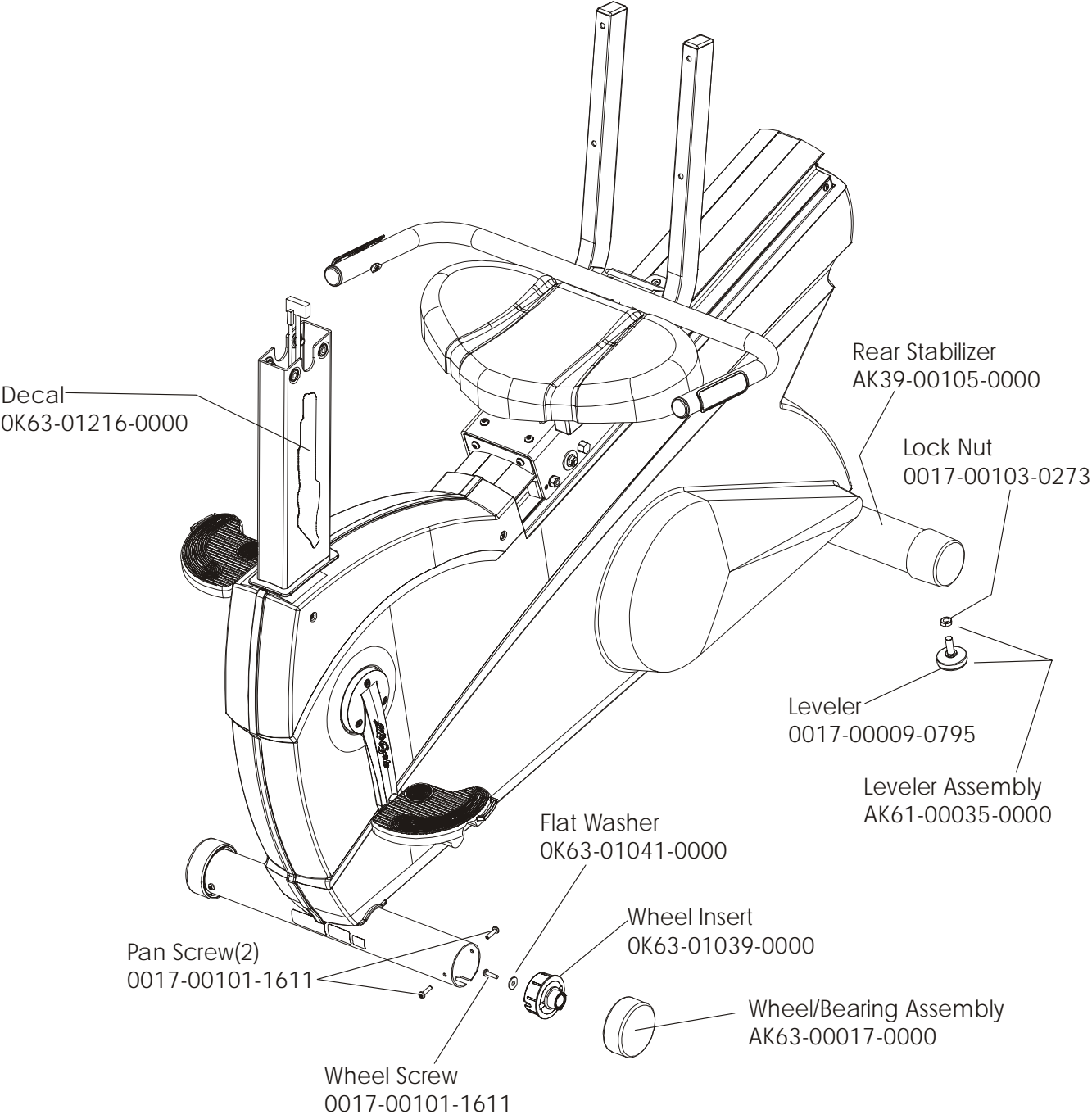
LifeCycle Recumbent Bike - Model R7-0100-02 S/N CEJ100001

Shrouds, End Cap, and Pedals



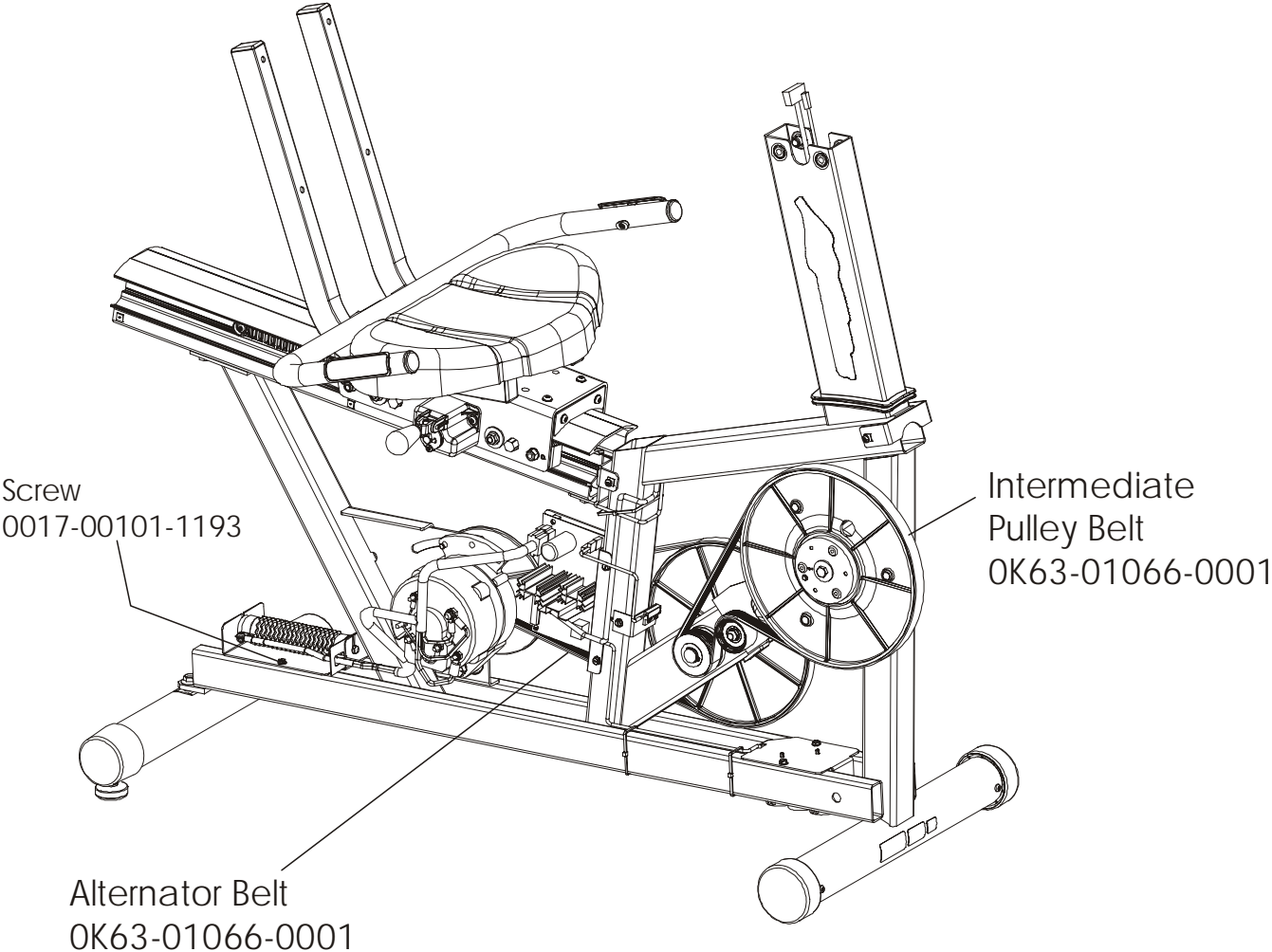
LifeCycle Recumbent Bike - Model R7-0100-02 S/N CEJ100001

Wheel and Leveler



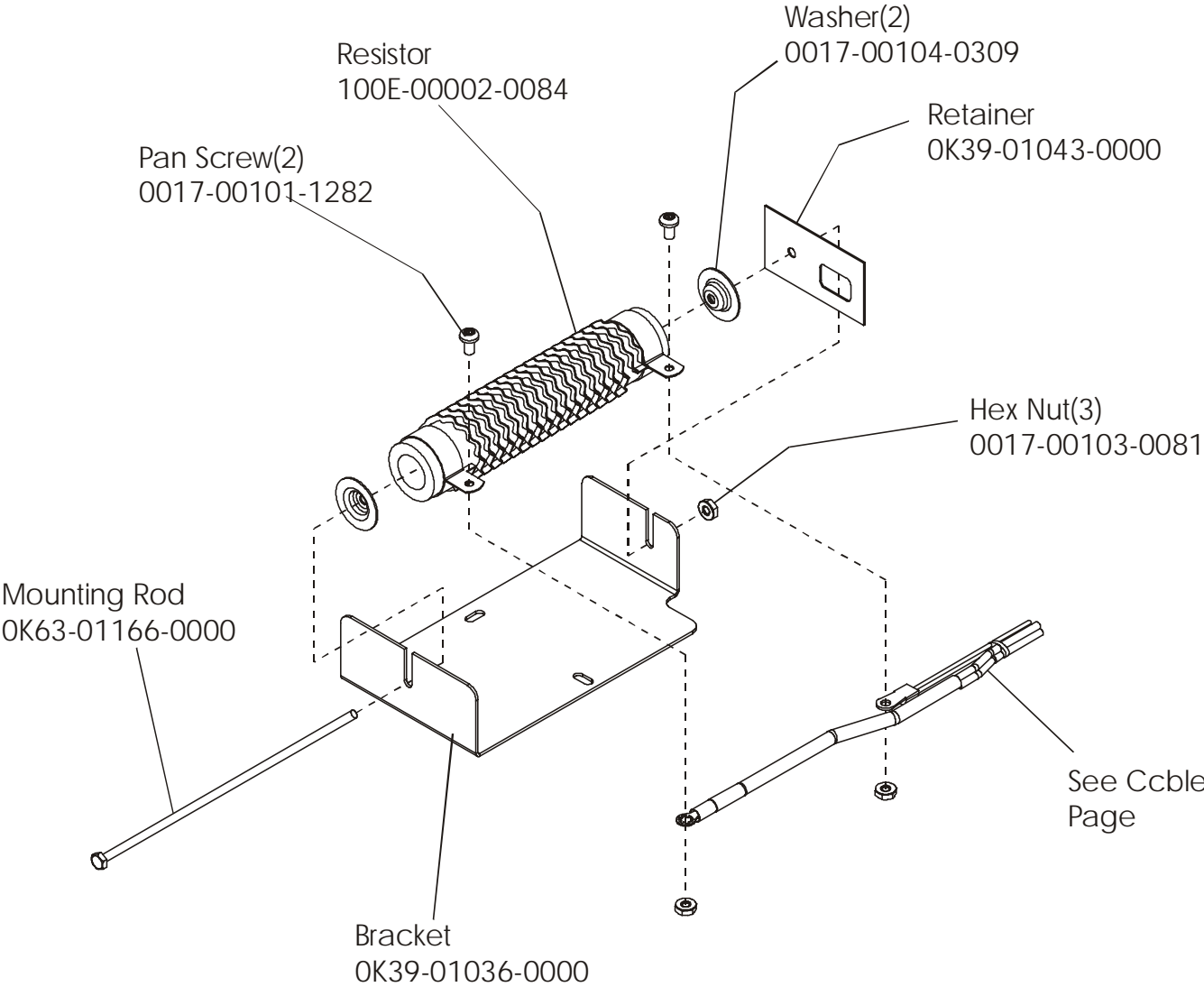
LifeCycle Recumbent Bike - Model R7-0100-02 S/N CEJ100001

Belts and 6V Battery



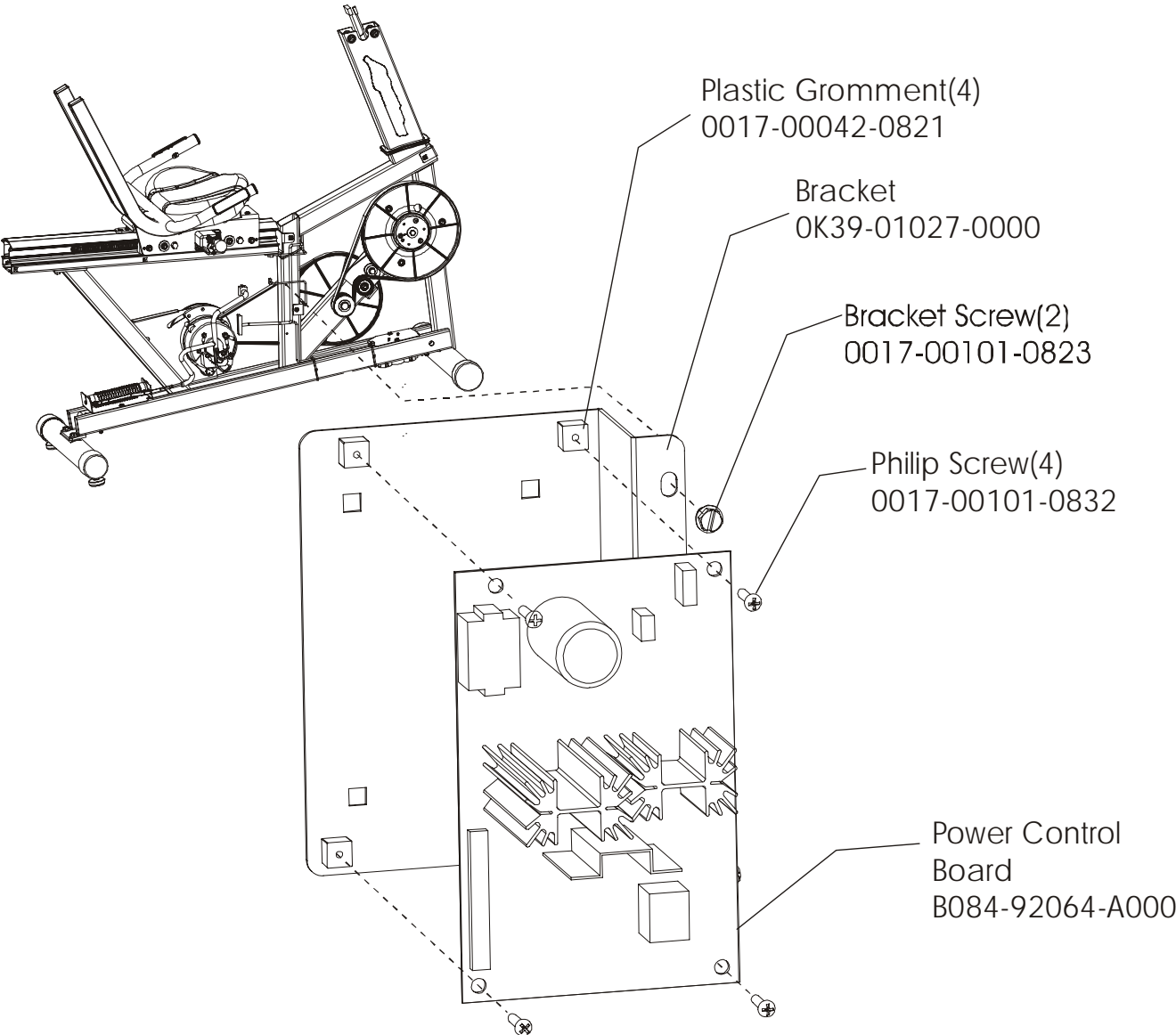
LifeCycle Recumbent Bike - Model R7-0100-02 S/N CEJ100001

Resistor Assembly



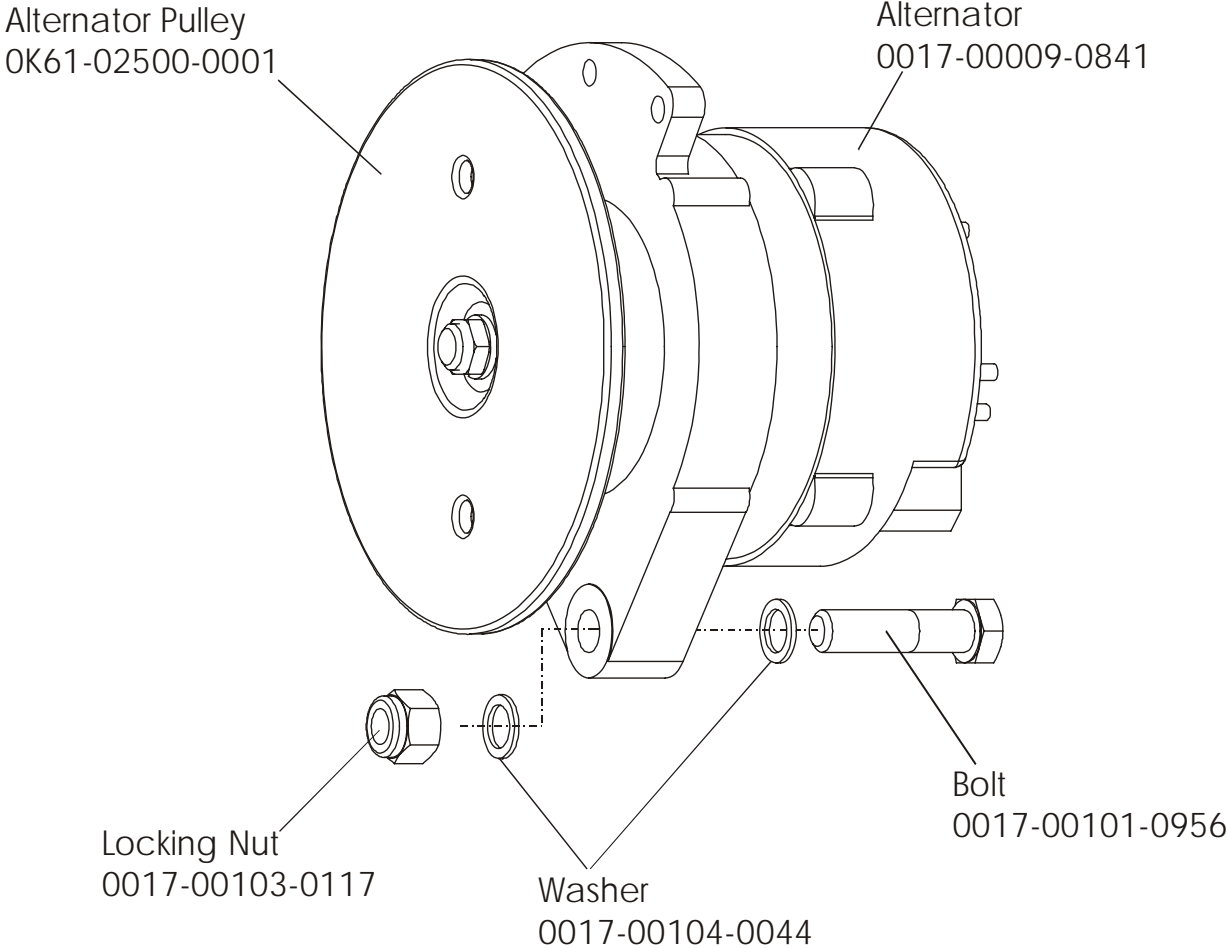
LifeCycle Recumbent Bike - Model R7-0100-02 S/N CEJ100001

Power Control Board - AK39-00022-0002



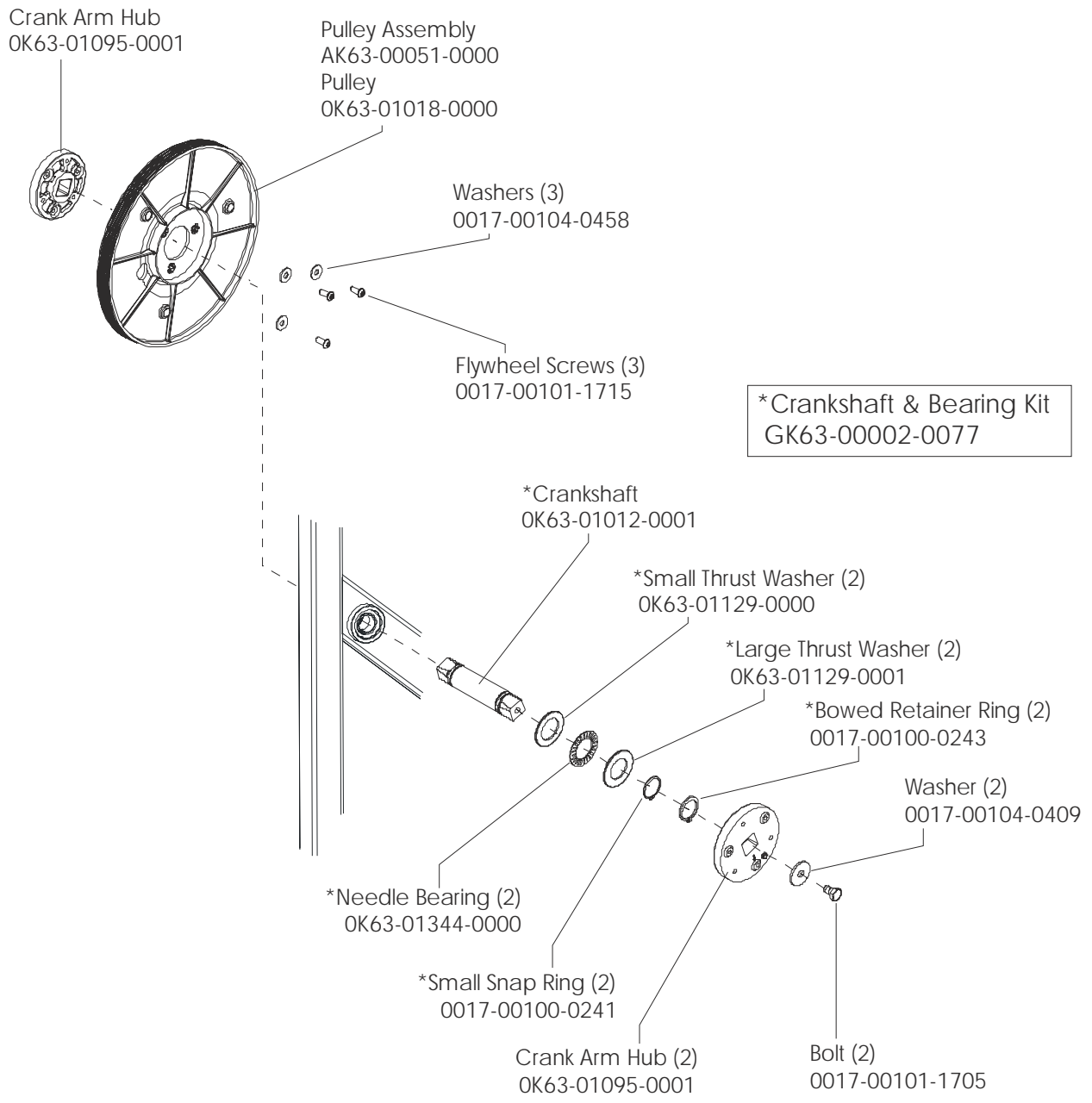
LifeCycle Recumbent Bike - Model R7-0100-02 S/N CEJ100001

Alternator w/Pulley - AK63-00093-0000



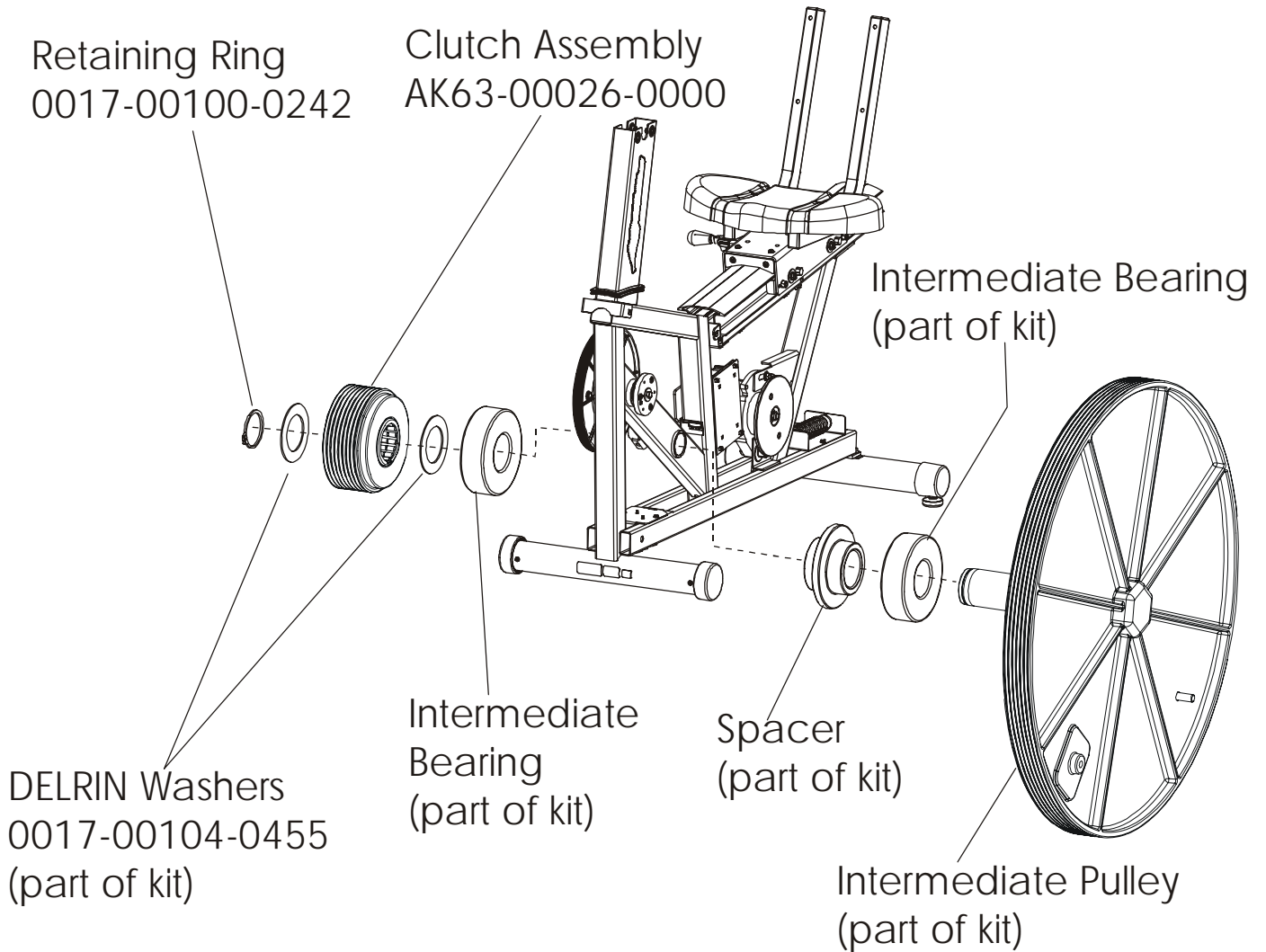
LifeCycle Recumbent Bike - Model R7-0100-02 S/N CEJ100001

Crank Shaft and Bearing Assembly

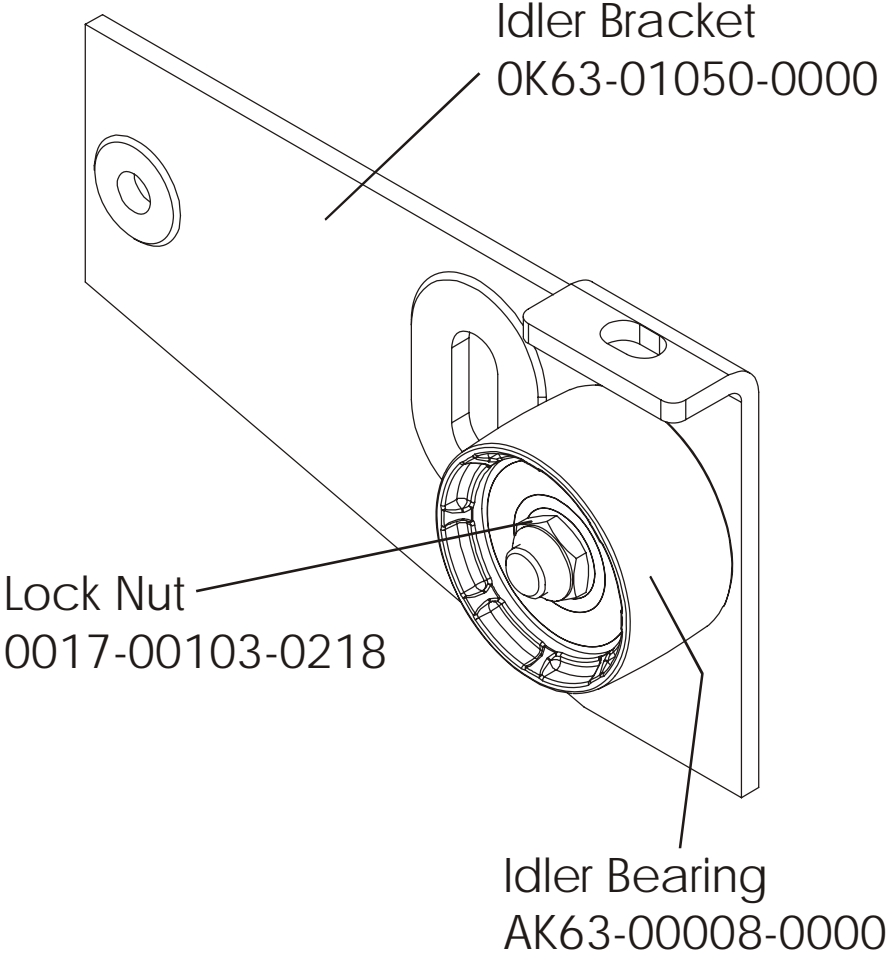


LifeCycle Recumbent Bike - Model R7-0100-02 S/N CEJ100001

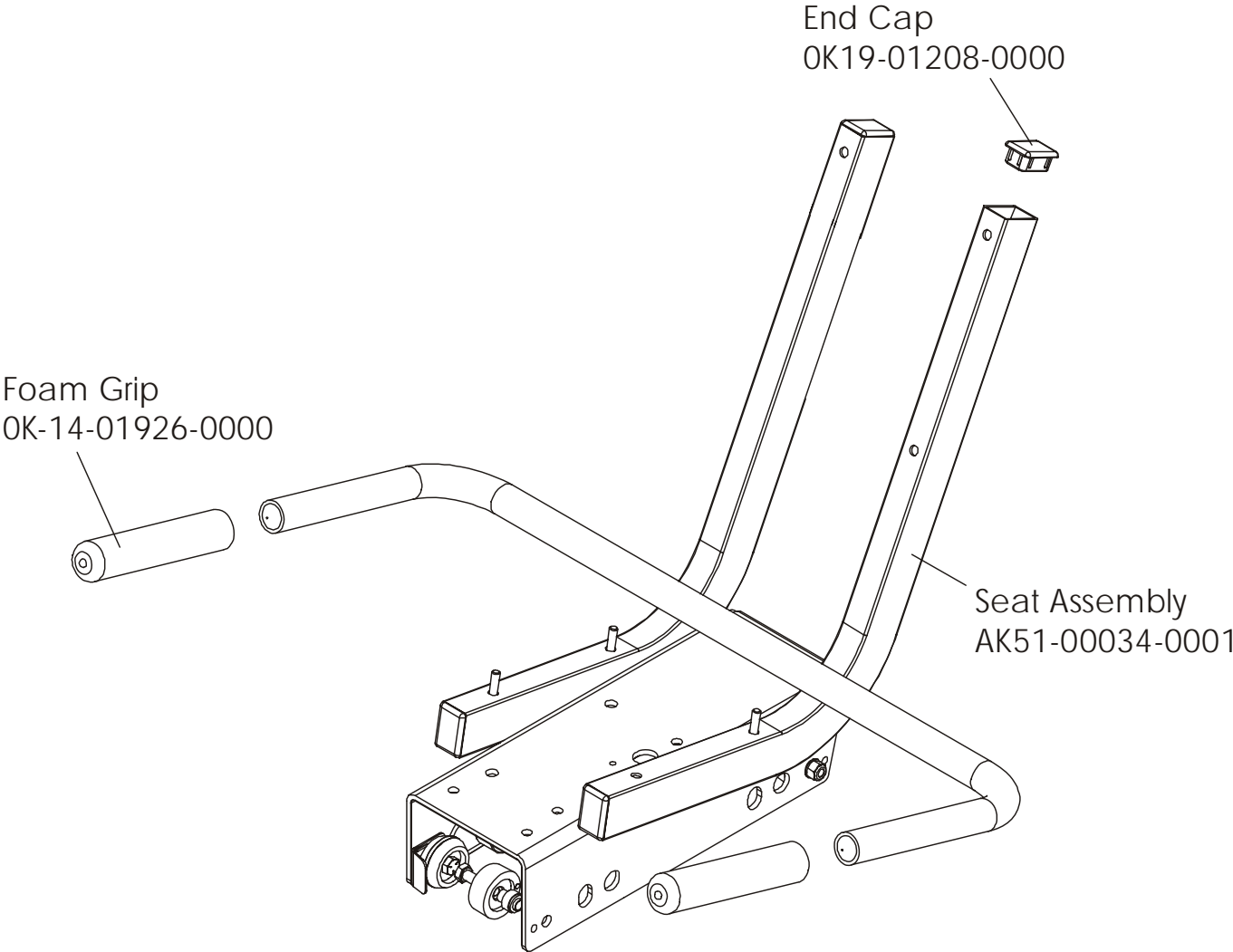
Intermediate Shaft and Bearing Assembly – GK63-00002-0007 Kit



Idler Bracket Assembly – AK63-00021-0000

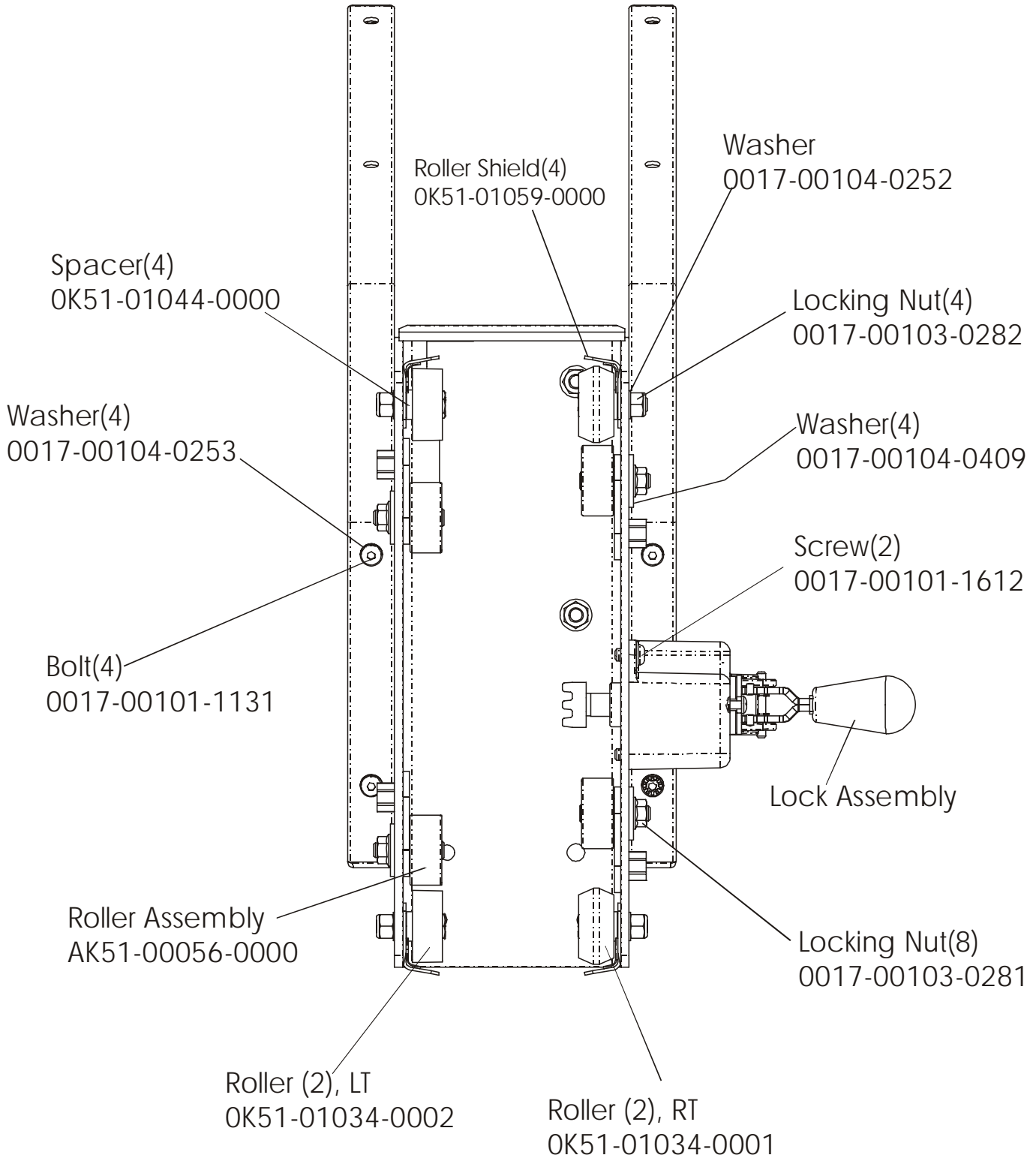


Seat Assembly

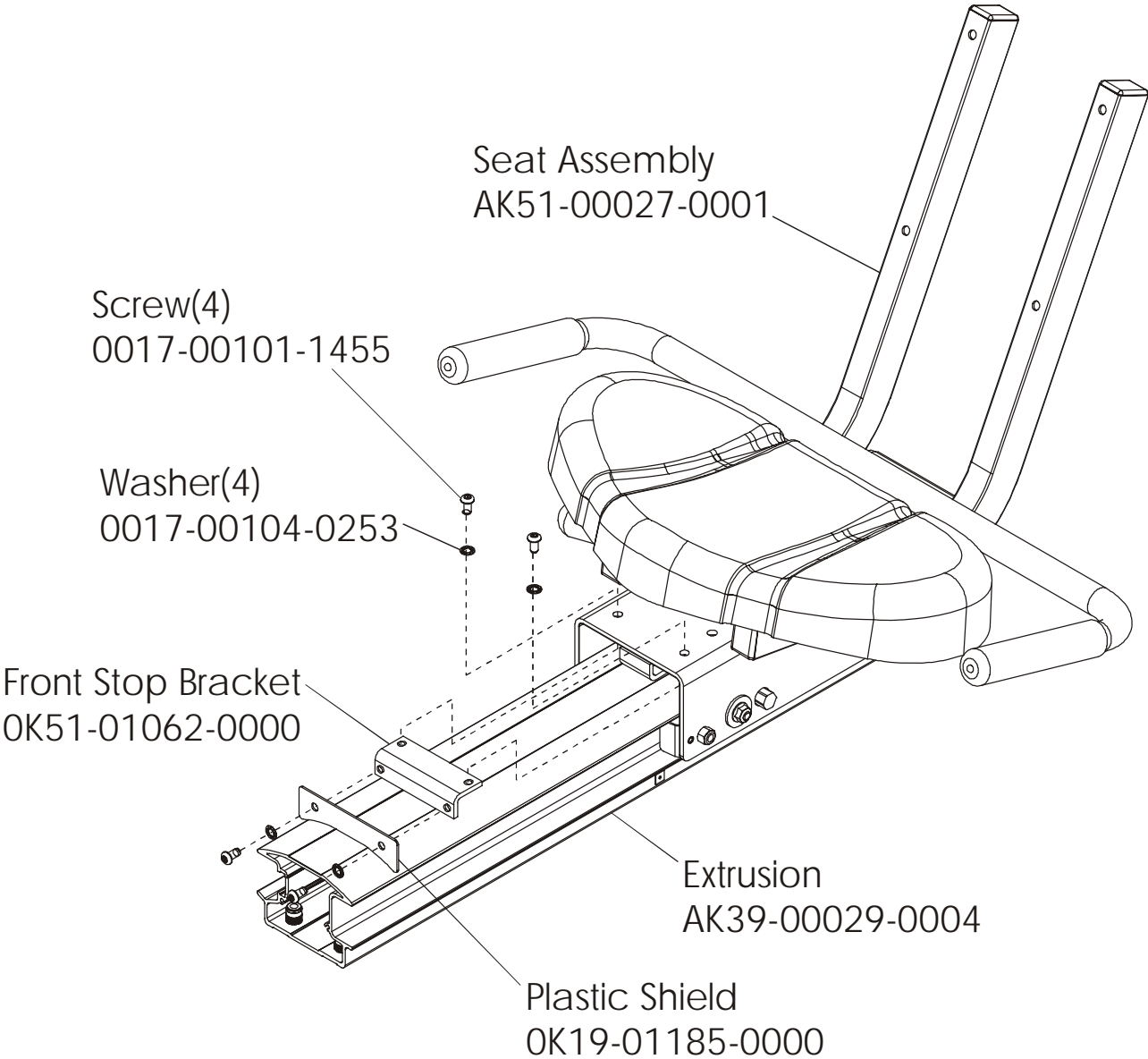


LifeCycle Recumbent Bike - Model R7-0100-02 S/N CEJ100001

Seat Assembly - Bottom

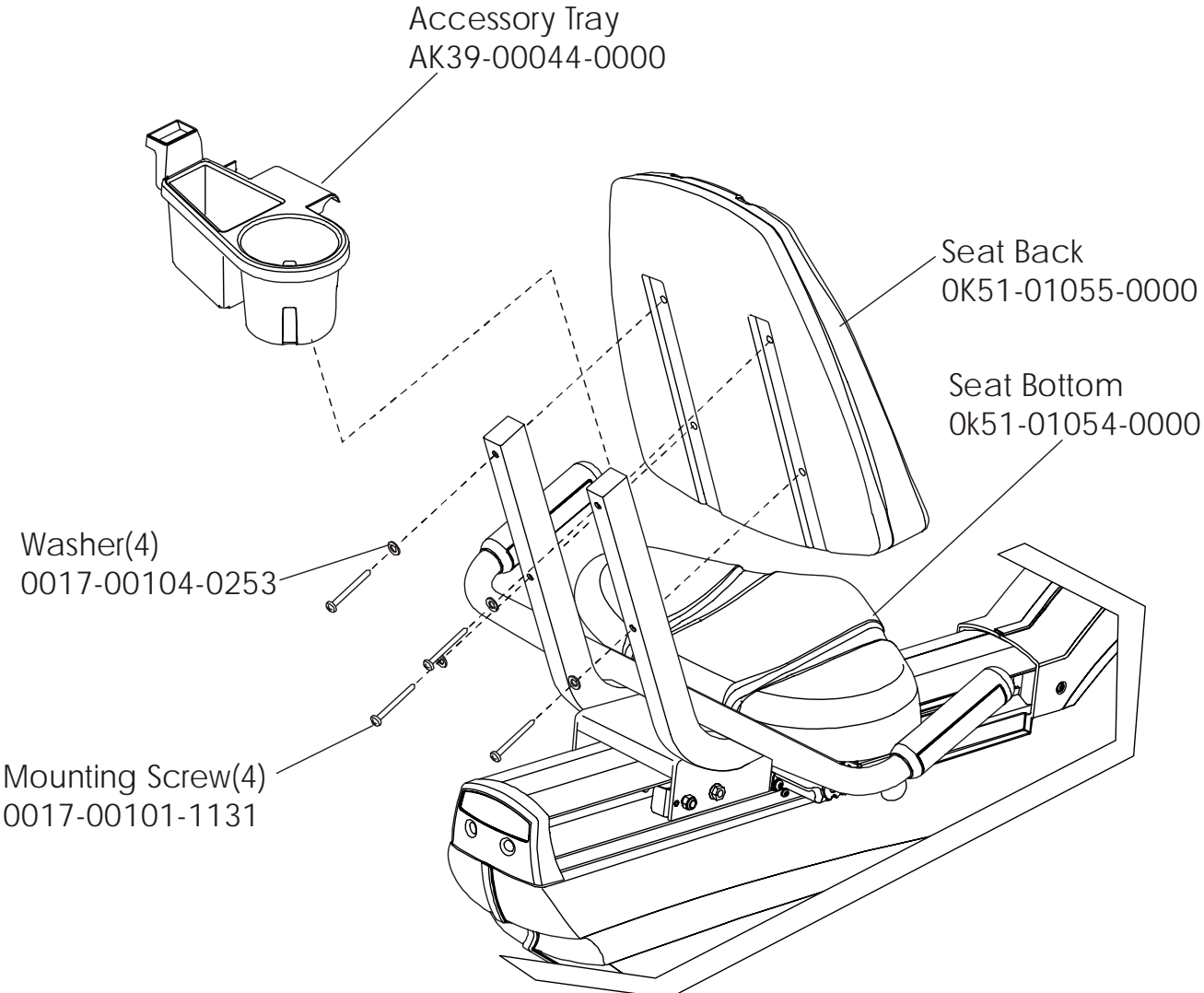


Seat Frame Assembly



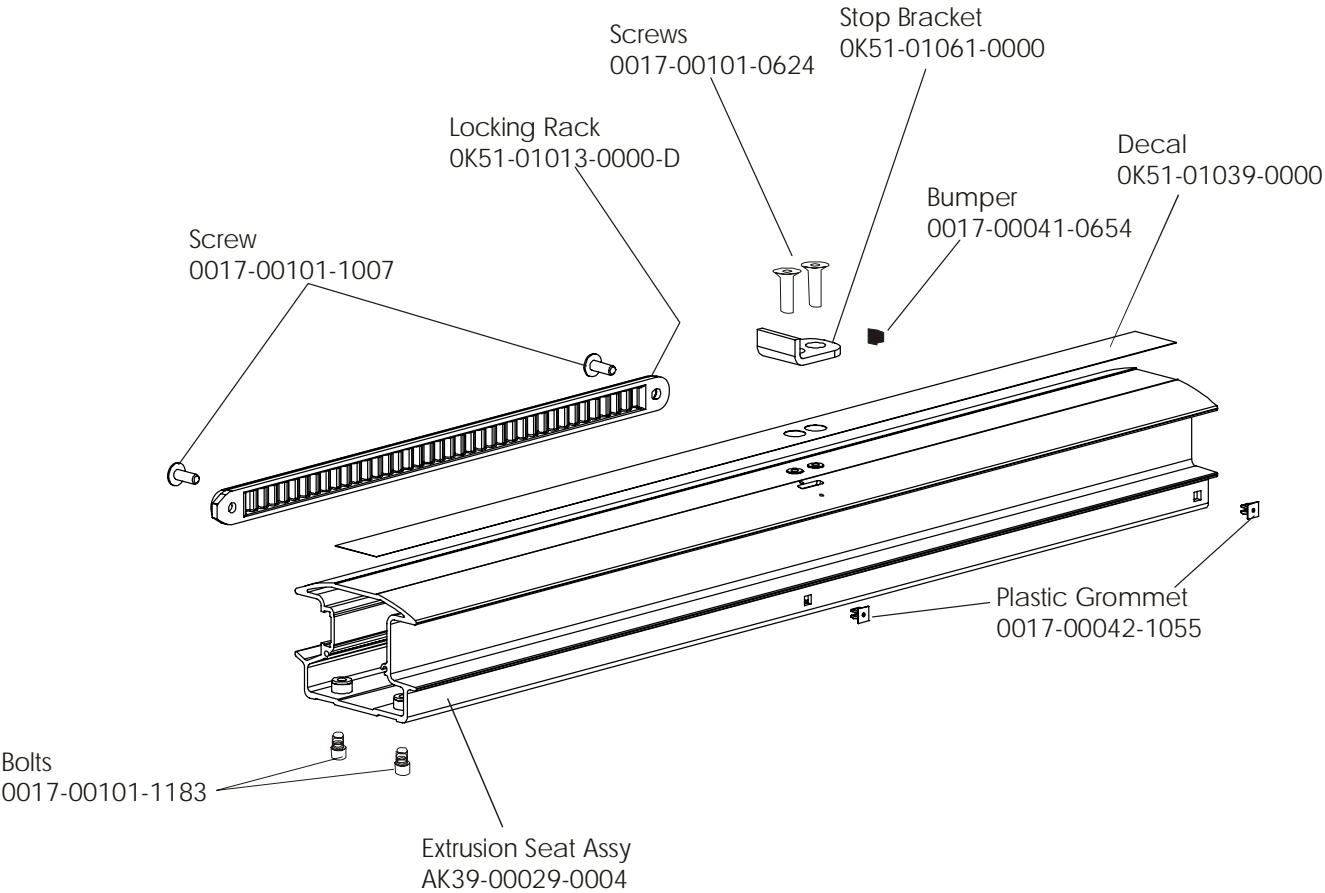
LifeCycle Recumbent Bike - Model R7-0100-02 S/N CEJ100001

Seat Pads and Accessory Tray



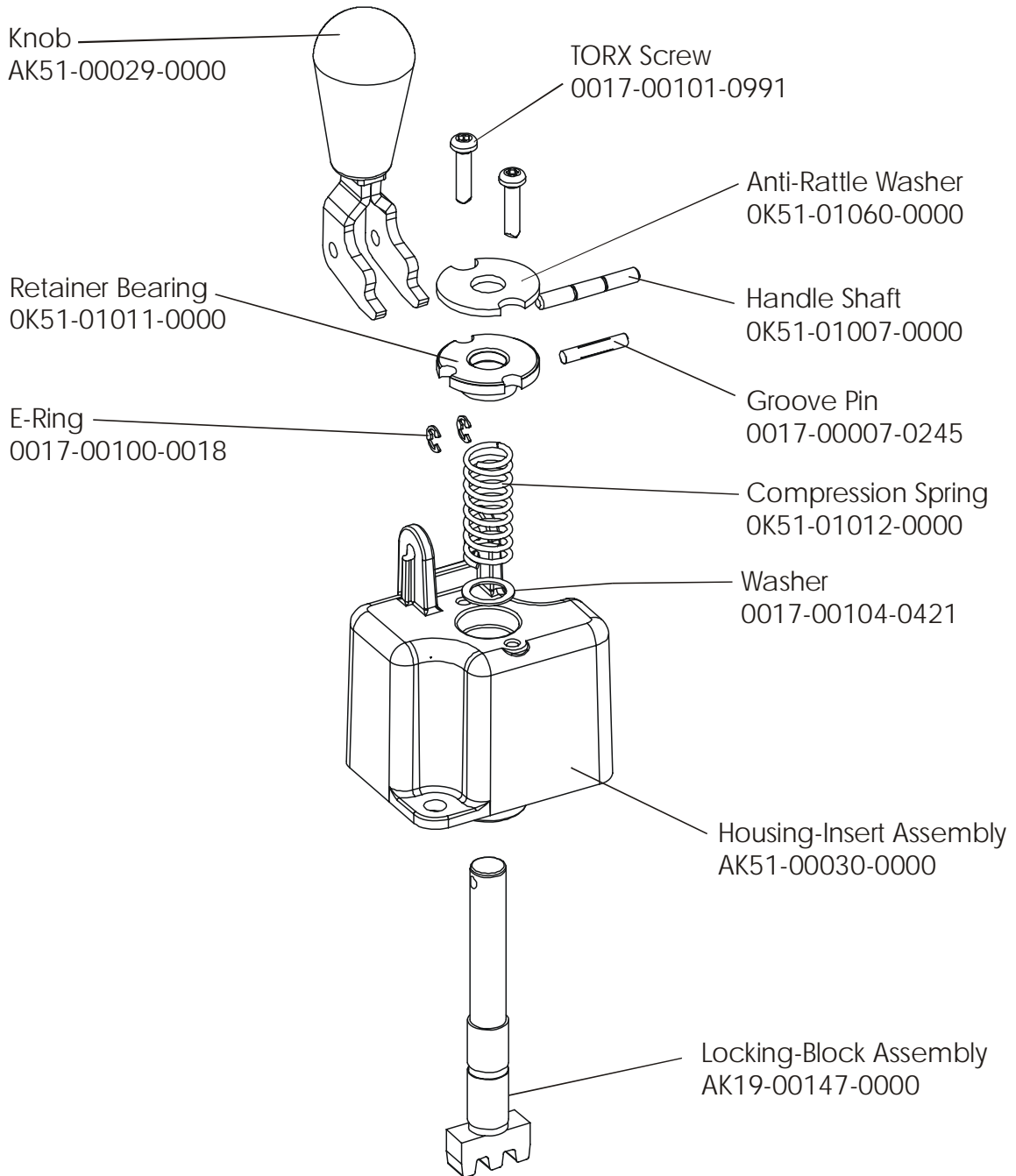
LifeCycle Recumbent Bike - Model R7-0100-02 S/N CEJ100001

Extrusion Assembly



LifeCycle Recumbent Bike - Model R7-0100-02 S/N CEJ100001

Lock Assembly AK51-00053-00000



LifeCycle Recumbent Bike - Model R7-0100-02 S/N CEJ100001

Cable – Block Assembly

